

V-7 AMBASSADOR 750 CC.

ADDITIONAL PLATES TO THE PARTS CATALOGUE

DATED OCTOBER 1970 - IInd EDITION

(Bosch starter motor and Bosch generator)

Fig. n.	Moto Guzzi Order n.	Bosch order n.	DESCRIPTION	Q.ty	Notes
A	12 73 07 05	0 001 157 006	Starter motor	1	DF (L) 12V 0,5 PS
10	12 73 05 10	2 004 111 071	Coil field ass.y	1	
11	12 73 05 11	2 910 551 232	Screw, pole shoes securing	4	M8x10 DIN 63
12	12 73 05 12	2 001 016 000	Insulating strip	1	
13	12 73 05 13	2 005 821 107	Starting Ratchet Cover, c/w bush	1	
14	12 73 05 14	2 000 301 023	Bushing, ratchet cover	1	
15	12 73 05 15	2 001 933 080	Lever, operating	1	
16	12 73 05 16-	1 003 410 005	Screw, starting ratchet cover	1	
17	12 73 05 17	2 916 693 005	Washer, insulating, operating lever	1	
18	12 73 05 18	2 915 051 106	Nut, operating lever	1	
19	12 73 05 19	2 004 011 025	Armature	1	
20	12 73 05 20	2 000 202 030	Stop Ring, ratchet cover end	1	
21	12 73 05 21	2 006 209 156	Starting Ratchet Ass.y, c/w bushing	1	
22	12 73 05 22	2 000 301 040	Bush, starting ratchet ass.y	2	
23	12 73 05 23	2 005 851 025	End Cover, c/w bush	1	
24	12 73 05 24	1 000 301 001	Bush, end cover	1	
25	12 73 05 25	2 001 329 900	Brush Holder, complete	1	
26	12 73 05 26	2 007 014 018	Brush Set	1	
27	12 73 05 27	2 004 652 005	Spring, brush	4	
28	12 73 05 28	2 003 410 085	Stay Rod, ratchet and end cover securing	2	
29	12 73 05 29	1 000 100 000	Flat Washer, stay screw	2	
30	12 73 05 30	2 000 505 001	Terminal Flange	1	
31	12 73 05 31	2 910 021 116	Screw, flange to brush holder	2	M4 x 6 DIN 84
32	12 73 05 32	2 916 063 005	Flat Washer, flange to brush holder screw	2	A 4 DIN 137
33	12 73 05 33	0 331 302 022	Starter Solenoid, c/w parts n. 35-36-37-38	1	
34	12 73 05 34	1 003 421 000	Screw, cheese headed	2	
35	{ 12 73 05 35	1 330 111 000	Shim, 0,5 mm. (.019")	as required	
	12 73 05 36	1 330 111 001	Shim, 1 mm. (.039")		
36	12 73 05 37	1 330 516 015	Cap, starter solenoid	1	
37	12 73 05 38	2 910 021 162	Screw, cap securing	2	M5 x 20 DIN 84
38	12 73 05 39	2 916 693 004	Washer, cap securing screw	2	B 5 DIN 127
39	12 73 05 40	2 916 693 007	Washer	2	B 8 DIN 127
40	12 73 05 41	2 915 051 107	Nut, hexagonal	2	BM 8 DIN 439
41	12 73 05 42	2 007 010 012	Set of items for armature	1	

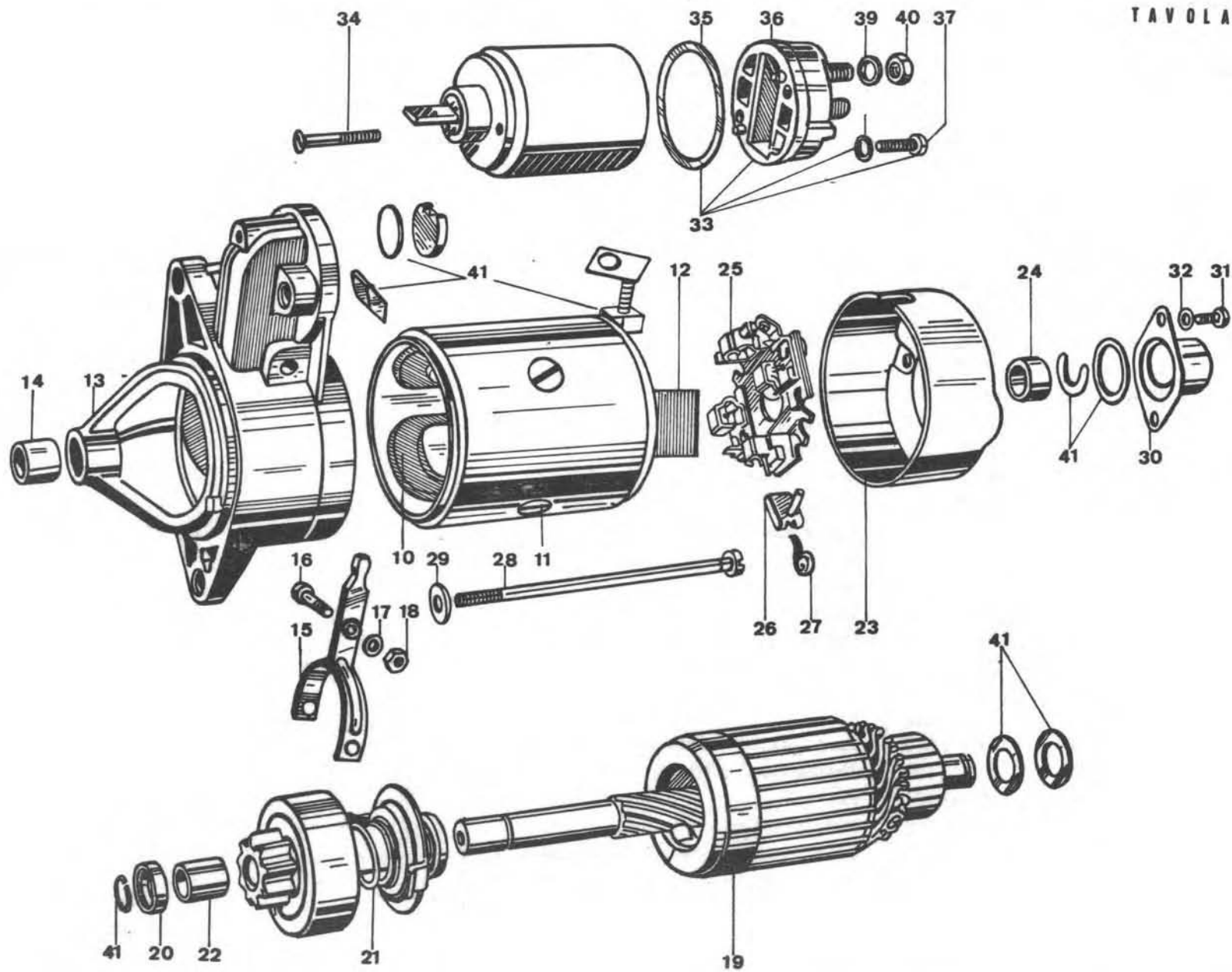
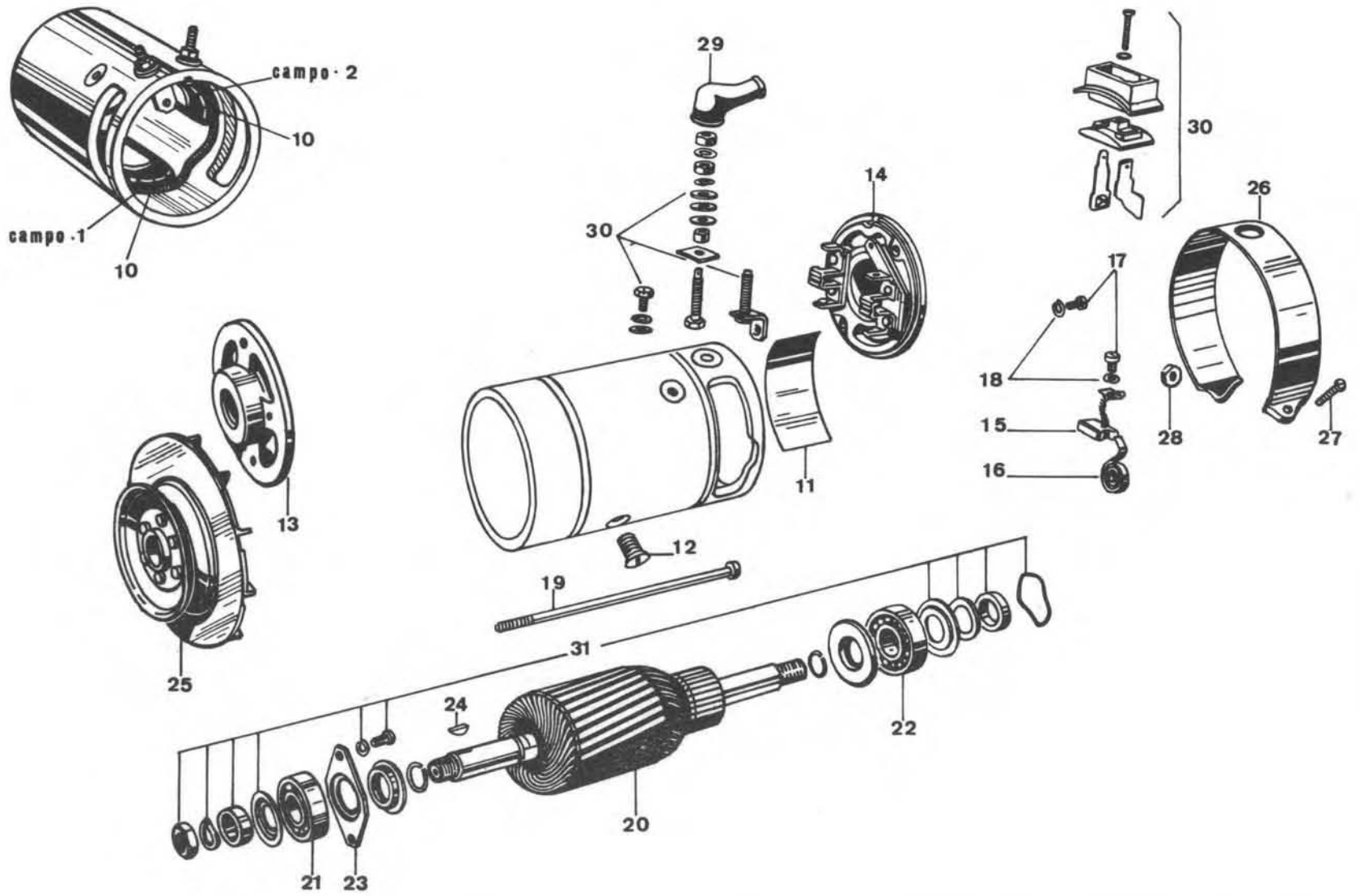


Fig. n.	Moto Guzzi order n.	Bosch order n.	DESCRIPTION	Q.ty	Notes
A	12 70 02 05	0 101 302 092	Generator	1	G (R) 14V 25A 23
10	12 70 01 10	{ 1 104 103 024 1 104 103 025	Field Coil { Campo 1 Campo 2	1	
11	12 70 01 11	3 131 007 000	Insulating Strip	1	
12	10 70 02 24	2 910 551 284	Screw, pole shoe securing	2	
13	12 70 01 13	1 105 823 323	Front Cover	1	
14	12 70 01 14	1 105 853 312	End Cover, complete	1	
15	12 70 01 15	1 107 014 139	Brush Set	1	
16	12 70 01 16	1 104 652 005	Spring, brush	2	
17	12 70 01 17	2 910 021 116	Screw	2	
18	12 70 01 18	2 916 693 003	Thrust washer	2	
19	12 70 01 19	1 103 410 008	Stay rod	2	
20	12 70 01 20	1 104 013 943	Armature, complete	1	
21	12 70 01 21	1 900 900 305	Ball Bearing, front cover	1	
22	10 70 02 17	1 900 900 303	Ball Bearing, end cover	1	
23	12 70 01 23	1 100 551 040	Grease Retaining Ring	1	
24	12 70 01 24	1 900 023 008	Woodruff Key	1	
25	12 70 01 25	1 106 602 026	Pulley	1	
26	12 70 01 26	1 101 316 042	Band, generator retaining	1	
27	12 70 01 27	2 910 021 125	Cheese Headed Screw	1	
28	12 70 01 28	2 915 051 004	Nut, hexagonal	1	
29	10 70 02 53	3 130 558 000	Protection Cap	2	
30	12 70 01 30	1 107 011 506	Set of items for terminal connection	1	
31	12 70 01 31	1 107 010 003	Set of items for assembling armature	1	





SERVICE DEPARTMENT

SPARE PARTS DIVISION

Subject: Change to parts catalogue 2nd. Ed.

Model: Ambassador 750 cc.

Amendment sheet n. 2

Date: February 1970

Plate n.	Fig. n.	DESCRIPTION	Old order n.	Q.ty	New order n.	Q.ty	REMARKS
1	12	SCREW, rocker box cover	98 26 03 30	16	98 62 03 30	16	Amendment to order n.
1	14	GUIDE, inlet valve	13 03 66 00	2	13 03 68 00	2	Spare part only
1	15	GUIDE, exhaust valve	13 03 67 00	2	13 03 69 00	2	Spare part only
1		PLATE, inlet pipe			14 11 54 00	2	New part
1		RUBBER WASHER, for above			91 55 10 81	2	New part
3	23	PISTON, ring set	13 06 06 00	2	13 06 06 00	2	Amendment
5	36	SCREW, exhaust pipe band	98 02 43 12	2	98 05 43 12	2	Standardized
6	63	SCREW, filter box cover	98 02 43 12	3	98 05 43 12	3	Standardized
8		BUSHING, gear box cover			12 20 09 00	1	New part
10	47	WASHER, flange	12 35 21 00	4	95 18 70 08	8	New modified part
11	22	SCREW, top safety bar securing	98 02 44 12	2	98 05 44 12	2	Standardized
11	37	WASHER, damper spindle	95 10 42 15	4	95 00 42 15	4	Amendment to order n.
11	59	SCREW, short	98 02 43 12	6	98 05 43 12	6	Standardized.
11		WASHER, reflex reflectors			95 00 02 04	2	New part
12	54	SCREW, fender stay	98 02 43 12	8	98 05 43 12	8	Standardized
12	57	NUT, eyelet securing screw	92 60 24 06	1	92 60 22 06	1	Amendment to order n.
12	63	SCREW, eyelet	98 34 60 10	1	98 02 43 10	1	New modified part
12		WASHER, reflex reflectors			95 00 02 04	2	New part
14		TAG, warning lights L/H			13 76 64 20	1	New part
14		TAG, warning light R/H			13 76 63 20	1	New part
16	54	WASHER, bearing-spacer	95 10 07 15	1	95 10 07 15	1	Sizes available: 1.1 mm. (.043") 1.2 mm. (.047") 1.3 mm. (.051") 1.4 mm. (.054") 1.5 mm. (.058")
16	55	WASHER (0,1 mm. - .0039")	12 63 40 00	6-12	95 10 07 27	6-12	Amendment to order n.
16	56	SPACER, hub bearing	95 10 07 27	1	12 63 40 00	1	Amendment to order n.
17	34	SCREW, coil securing	98 02 44 12	2	98 05 44 12	2	Standardized
17		INSULATING BUSH, regulator			91 55 10 53	2	New part



SERVICE DEPARTMENT

SPARE PARTS DIVISION

Subject: Change to parts catalogue 2nd. Ed.

Model: Ambassador 750 cc.

Amendment sheet n. 2

Date: February 1970

Plate n.	Fig. n.	DESCRIPTION	Old order n.	Q.ty	New order n.	Q.ty	REMARKS
17	48	SCREW, regulator securing	98 02 44 22	2	98 05 44 18	2	Standardized
17		RELAY, starter motor			12 73 25 00	1	Bosch 0332.003.017
17		BRACKET, regulator and starter relay	12 73 28 00	1	New part		
17		SCREW, starter relay securing	98 05 42 10	2	New part		
17		SPRING WASHER	95 02 11 05	2	New part		
17		NUT, starter relay	92 60 22 05	2	New part		
17		CABLE HARNESS, Relay to solenoid	12 73 26 05	1	New part		
17		CABLE, regulator to relay	12 73 27 05	1	New part		
17		CABLE, ground	12 73 10 00	1	New part		
18		HORN (Bosch)	25 74 37 01	1	New part		
18		CABLE HARNESS, Bosch equipment	12 74 71 07	1	New part		
18		CABLE, bipolar for stop light	13 74 89 20	1	New part		
18		CABLE HARNESS, TURN signals installation	12 74 86 00	1	New part		
18		CONNECTORS, Faston	93 40 09 63	2	New part		

WHEN ORDERING PLEASE USE THE NEW PART NUMBER